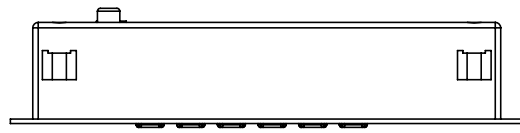


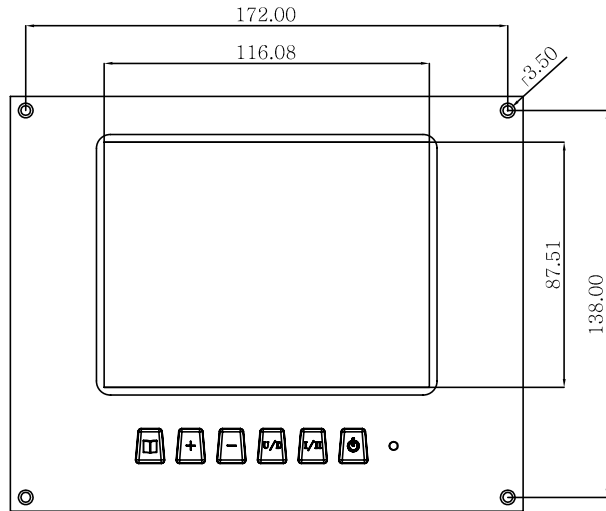
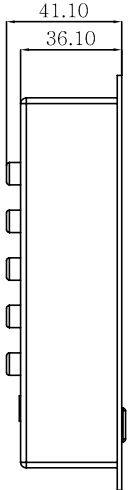
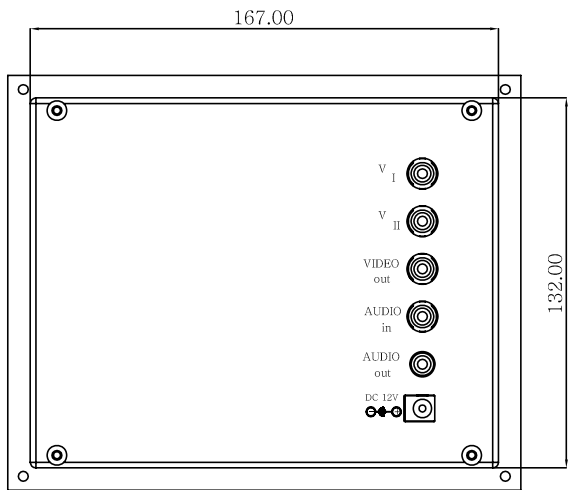
REVISION				
ISSUE	ZONE	DESCRIPTION	DATE	REVISER

A



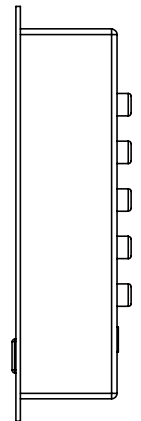
A

B



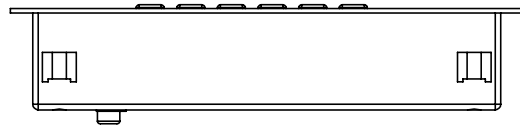
B

C



C

D



D