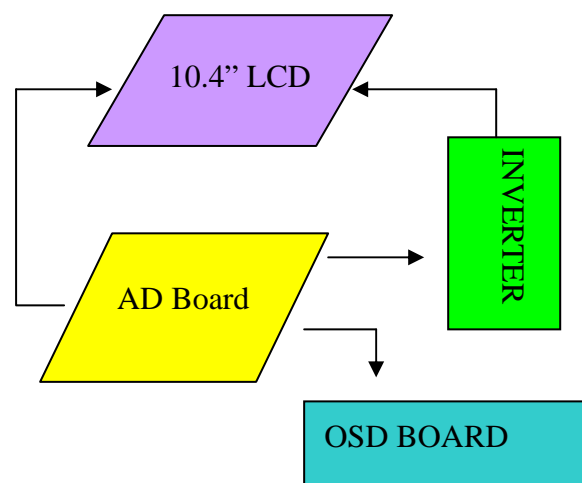


MODEL NO. : MAT-5501-ML

□ SPECIFICATION □

DISPLAY SCREEN	SIZE	10.4 INCH
	Active Area	211.2(W)x158.4 mm(H)
	ELEMENT	COLOR TFT LCD
	RESOLUTION	800 x 600
	DOT PITCH	0.264 (W) x 0.264 (H)mm
◆ POWER SOURCE	DC 12V	
◆ POWER CONSUMPTION	10W Typ.	
◆ OPERATING TEMPERATURE	0°C ~ 50°C	
◆ STORAGE TEMPERATURE	-20°C ~ 70°C	
◆ BRIGHTNESS	230 cd/m ²	
◆ CONTRAST	500 : 1	
◆ OPTICAL RISE TIME/FALL TIME	10/25 Typ.	
◆ VIEWING ANGLE	Vertical +35° /-65° , Horizontal : ± 60°	
◆ PC INPUT	RGB Analogue Input 15Pin D-sub x 1	
◆ VIDEO INPUT	1Vpp 75 Ω , RCA x 1,S-Video x 1.	
◆ PLUG & PLAY	VESA DDC2B	
◆ GREEN FUNCTION	VESA DPMS	
◆ OSD CONTROL FUNCTION	Brightness, Contrast, Color, Volume, Mute	
◆ LCD SCREEN	255.0 x 160.0 x 40.0 (mm)	
◆ WEIGHT	280 ±10g	

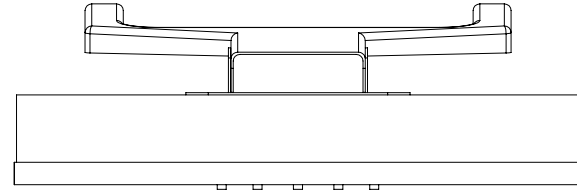
□ CONNECTION □



1		2		
REVISION				
ISSUE	ZONE	DESCRIPTION	DATE	REVISER

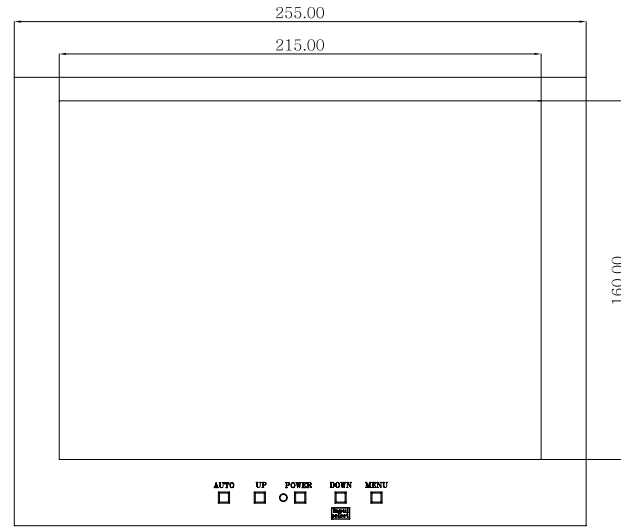
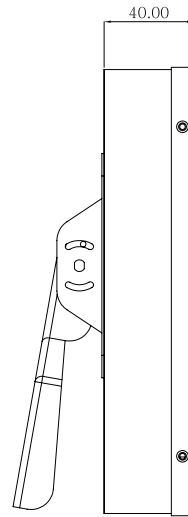
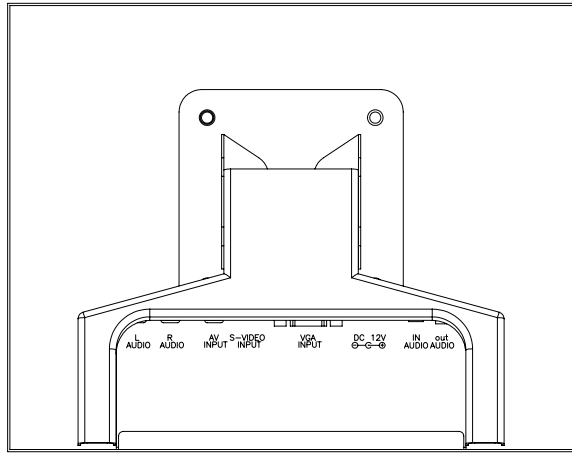
A

A



B

B



C

C

D

D

1		2			3		4		5		6		7		8			
		®					MODEL NO.		PARTS NO.		DWG.DATE		MATERIAL		UNIT		PARTS NAME	
					DESIGN						2006/11/20				mm			
							CHECKED		APPROVED		REV.DATE		SCALE		REV		FILE NO.	
													FREE				DRAWING NO.	

1		2			3		4		5		6		7		8	
---	--	---	--	--	---	--	---	--	---	--	---	--	---	--	---	--